

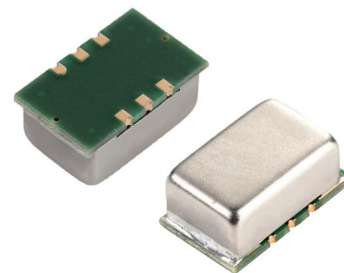
# OXF42 SERIES

Part Number Guide	
OXF42-XXXX-FREQ.	
OXF42: OCX0-F Package/42 Series	
XXXX: Input Voltage/Temp. Range/Temp. Stability/Output/Adjustment Range	
FREQ.: Frequency in MHz	
Example: OXF42-AAQSA-10MHz (3.3V, ±100ppb@-40°C~85°C, Sinewave, ±0.5~±1.0ppm adjustment range)	

Parameters 参数	Coding Table 代码表
11 ~ Frequency Range 频率范围	5MHz~50MHz 5, 8, 192, 10, 12, 8, 13, 15, 36, 16, 384, 19, 2, 19, 44, 20, 25, 26, 40, 50MHz
6 Input Voltage 输入电压	A: 3.3V
7 Temp. Range 温度范围	A: -40°C to 85°C, B: -30°C to 75°C, C: -20°C to 70°C
8 Temp. Stability 温度稳定性	P: ±50ppb, Q: ±100ppb, T: ±500ppb
9 Output Waveform 输出波形	L: LVTTTL, H: HCMOS, S: Sine wave
10 Adjustment Range 调频范围	A: ±0.5ppm~±5.0ppm N: No Adjustment

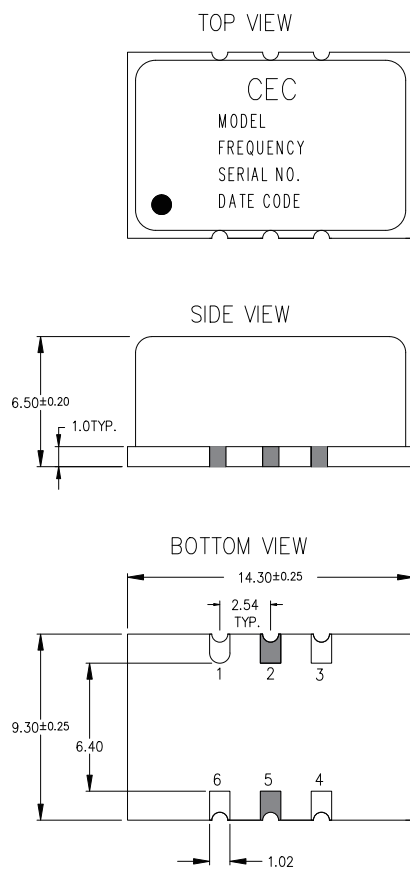
Voltage 电压	
Input Voltage 输入电压	3.3V ±5%
Reference Voltage 参考电压	2.8V
VCO Center Voltage 压控端中心电压	1.4V
VCO Input Range 压控端输入范围	0~2.8V

Typical Specification of 10MHz OCX0 典型指标			
Crystal Type 晶体类型	AT-Cut	Voltage Stability 电压稳定性	< ±5ppb@Vcc ±5%
Aging 老化率	Daily < ±3ppb	Short Term Stability 短期稳定度	< 0.05ppb/S
	Yearly < ±0.3ppm	Warm-up Power 预热功耗	< 2 Watts
Product Height 产品高度	6.5mm TYP.	Steady State Power 稳态功耗	< 1.0 Watts@25°C
Phase Noise (Typical Value) 相位噪声 (典型值)	-70dBc@1Hz	40MHz	
	-105dBc@10Hz		
	-130dBc@100Hz		
	-145dBc@1KHz		
	-150dBc@10KHz		



Pb Free RoHS Compliant

## Mechanical Dimensions 外形图



## PAD CONNECTIONS

PAD	FUNCTION
1	VCO INPUT or NC
2	R.F. ENABLE or NC
3	GND
4	R.F. OUTPUT
5	VREF or NC
6	+VDC

Unit: mm