

1.6x1.0 TUNING FORK(SMD)

Part Number Guide

T-FF.FFFK-LC-FT-OT-ESR

- T (Type型号): HI=1.6×1.0 Tuning Fork (SMD)
- F (Frequency标称频率): 5 digitals of Frequency, e.g. 32.768K
- LC (Load Capacitance负载电容) 12.5=12.5pF 00=series, etc
- FT (Frequency Tolerance调整频差): 30=±30 ppm, etc
- OT (Operating Temperature工作温度): 1060=-10°C to +60°C 4085=-40°C to +85°C, etc
- ESR (Equivalent Series Resistance等效阻抗)
- A (Automotive车载应用)



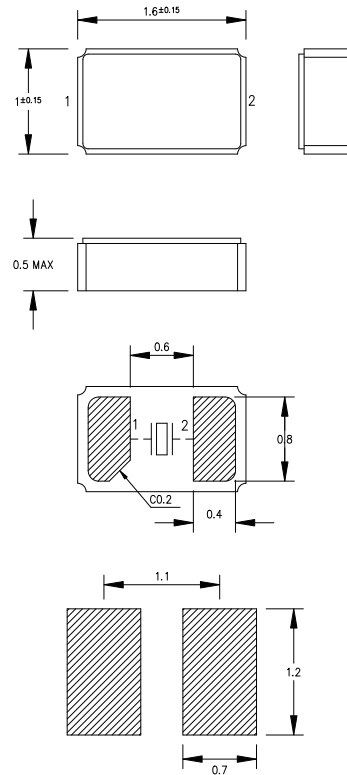
Electrical Specifications 电气参数

Item 项目	Spec 规格	Condition 条件
Frequency Range 频率范围	32.768KHz	For further questions regarding specifications, please feel free to contact us. 对于超出标准的规格, 请联系我们
Operating Temperature 工作温度	-40~85°C	
Drive Level 激励功率	1 μw max	
Load Capacitance 负载电容	12.5pF typ	
Frequency Tolerance 调整频差	±20ppm~±50ppm	
Temperature Coefficient 温度系数	-0.04ppm/°C ² max	
ESR 等效阻抗 (Ω)	90KΩ max	
Storage Temperature 储存温度	-55~125°C	

Pb Free RoHS Compliant

Mechanical Dimensions 外型尺寸

UNIT (单位): mm (毫米)



Frequency vs. Temperature Curve 频率温度曲线

